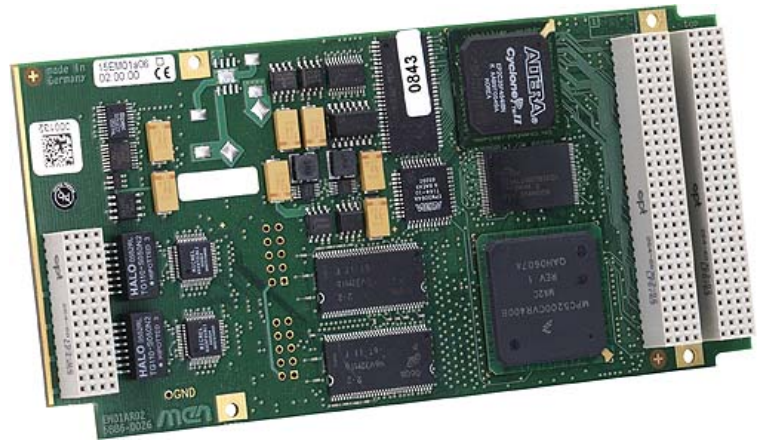


# EM1A – Embedded System Module COM with MPC5200B

- **MPC5200B / 384 MHz**
- **FPGA 18,752 LEs (225,000 gates)**
- **Up to 256 MB on-board DDR SDRAM**
- **Up to 8 MB boot Flash, NAND Flash**
- **2 MB SRAM, 16 MB additional SDRAM**
- **Dual Ethernet, COM, USB 1.1 (J3)**
- **Dual CAN controller**
- **MENMON™ BIOS for PowerPC® cards**
- **User defined I/O functions optional via FPGA**
- **-40 to +85°C with qualified components**



The EM1A Computer-On-Module is a complete embedded SBC for use on any carrier board in different industrial environments. The final application consists either of a stand-alone EM1A, the EM1A with an application-specific carrier card and/or with additionally plugged PCI-104 modules.

The EM1A is controlled by the MPC5200B PowerPC® processor which was especially developed for automotive applications and which operates at up to 400 MHz and 700 MIPS. The complete ESM™ module is exclusively available in -40 to +85°C operation temperature, as is the processor itself which consumes less than 1 W at 384 MHz. The EM1A is equipped with up to 256 MB soldered SDRAM and up to 1 GB NAND Flash as well as with 16 MB additional SDRAM, up to 8 MB boot Flash and 2 MB battery-backed SRAM. The EM1A provides one 10MBit and one Fast Ethernet interface, one serial line and USB 1.1 via its I/O connector J3. Two CAN controllers with V2.0A/B CAN protocol are included in the MPC5200B. The physical CAN interfaces are accessible via SA-Adapters™. Further UARTs and other additional I/O functions can be realized in the onboard FPGA and accessed via a carrier board. The functionality of the FPGA is dynamically loaded by the application software.

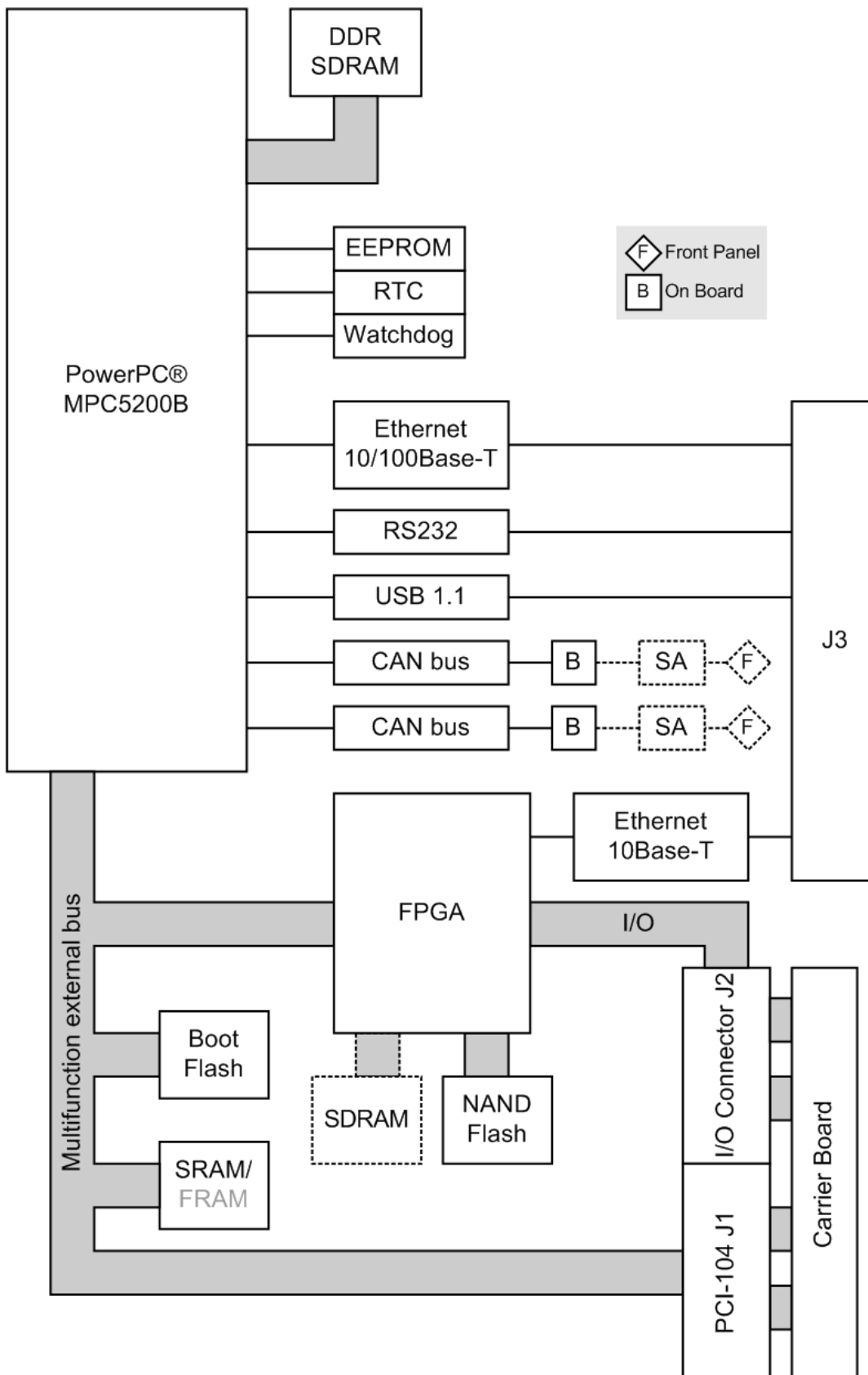
The EM1A comes with MENMON™ support. This firmware/BIOS can be used for bootstrapping operating systems (from disk, Flash or network), for hardware testing, or for debugging applications without running any operating system.

The EM1A is designed to operate under harsh environmental conditions including -40 to +85°C operation temperature, shock, vibration, humidity. It focuses on applications in transportation (railways), automotive and avionics.

For a first evaluation of the functions of the EM1A it is strongly recommended to use the EK6N ESM™ starter kit. The kit consists of the function-compatible EM1N module (with front I/O), an FPGA loaded with additional I/O functions, the carrier card with I/O connectors, an external PSU, VGA and RJ45 to D-Sub cables, and an adapter for mounting a PCI-104 module.

ESM™ modules are complete computers which consist of the hardware (CPU, chip set, memory, I/O) which is not fixed to any application-specific function, and an FPGA programmed in VHDL code for user-defined I/O. ESM™ modules are based on PCI. They have two system connectors: J1 has a fixed signal assignment, while J2 is variable depending on the final application-specific configuration of the ESM™ and the carrier board. J2 also feeds the I/O signals of the functions programmed in the FPGA to the carrier card.

# Diagram



## Technical Data

<b>CPU</b>	<ul style="list-style-type: none"> <li>■ PowerPC® <ul style="list-style-type: none"> <li>□ MPC5200B</li> <li>□ Up to 400MHz</li> </ul> </li> </ul>
<b>Memory</b>	<ul style="list-style-type: none"> <li>■ 2x16KB L1 data and instruction cache integrated in MPC5200</li> <li>■ Up to 256MB SDRAM system memory <ul style="list-style-type: none"> <li>□ Soldered</li> <li>□ DDR</li> <li>□ 64MHz memory bus frequency</li> </ul> </li> <li>■ Up to 1GB soldered NAND Flash (and more), FPGA-controlled</li> <li>■ Up to 16MB additional SDRAM, FPGA-controlled, e.g. for video data and NAND Flash firmware</li> <li>■ Up to 8MB boot Flash</li> <li>■ Up to 2MB battery-backed SRAM, or: up to 128KB non-volatile FRAM</li> <li>■ Serial EEPROM 8kbits for factory settings</li> </ul>
<b>Mass Storage</b>	<ul style="list-style-type: none"> <li>■ Parallel IDE (PATA) <ul style="list-style-type: none"> <li>□ One port for hard-disk drives</li> <li>□ Available via I/O connector</li> <li>□ FPGA-controlled</li> </ul> </li> <li>■ Up to 1GB soldered ATA NAND Flash (and more), FPGA-controlled</li> </ul>
<b>Graphics</b>	<ul style="list-style-type: none"> <li>■ Available via I/O connector</li> <li>■ FPGA-controlled</li> </ul>
<b>I/O</b>	<ul style="list-style-type: none"> <li>■ USB <ul style="list-style-type: none"> <li>□ One USB 1.1 port</li> <li>□ On board-to-board connector J3</li> <li>□ OHCI implementation</li> <li>□ Data rates up to 12Mbit/s</li> </ul> </li> <li>■ Ethernet <ul style="list-style-type: none"> <li>□ One 10/100Base-T Ethernet channel</li> <li>□ One 10Base-T Ethernet channel</li> <li>□ On board-to-board connector J3</li> </ul> </li> <li>■ One RS232 UART (COM1) <ul style="list-style-type: none"> <li>□ On board-to-board connector J3</li> <li>□ Data rates up to 115.2kbit/s</li> <li>□ 512-byte transmit/receive buffer</li> <li>□ Handshake lines: CTS, RTS</li> </ul> </li> <li>■ CAN bus <ul style="list-style-type: none"> <li>□ Two CAN bus channels</li> <li>□ 2.0 A/B CAN protocol</li> <li>□ Data rates up to 1 Mbit/s</li> <li>□ Connection via onboard connectors</li> <li>□ External transceivers using SA-Adapters™</li> </ul> </li> <li>■ Further I/O depending on FPGA configuration</li> </ul>
<b>FPGA</b>	<ul style="list-style-type: none"> <li>■ Standard factory FPGA configuration: <ul style="list-style-type: none"> <li>□ Main bus interface</li> <li>□ 16Z070_IDEDISK - IDE controller for NAND Flash</li> <li>□ 16Z043_SDRAM - Additional SDRAM controller (16MB)</li> <li>□ 16Z023_IDENHS - IDE controller (PIO mode 0; non-hot-swap)</li> <li>□ 16Z077_ETH - Ethernet controller (10Base-T)</li> <li>□ 16Z025_UART - UART controller (controls COM10)</li> <li>□ 16Z034_GPIO - GPIO controller (40 lines, 5 IP cores)</li> </ul> </li> <li>■ The FPGA offers the possibility to add customized I/O functionality. See FPGA.</li> </ul>
<b>PCI Interface</b>	<ul style="list-style-type: none"> <li>■ 32-bit, 33-MHz PCI interface at PCI-104 connector J1</li> <li>■ Compliant with PCI Specification 2.2</li> <li>■ Support of 4 external masters</li> </ul>

## Technical Data

<b>Miscellaneous</b>	<ul style="list-style-type: none"> <li>■ Real-time clock</li> <li>■ Power supervision and watchdog</li> </ul>
<b>Electrical Specifications</b>	<ul style="list-style-type: none"> <li>■ Supply voltage/power consumption: <ul style="list-style-type: none"> <li>□ +5V (-2%/+5%), 10mA max., only for USB</li> <li>□ +3.3V (-2%/+5%), 1A typ.</li> </ul> </li> <li>■ MTBF: <ul style="list-style-type: none"> <li>□ 15EM01A00: 320,787h @ 40°C according to IEC/TR 62380 (RDF 2000)</li> <li>□ 15EM01A01 (5V only): 326,635h @ 40°C according to IEC/TR 62380 (RDF 2000)</li> </ul> </li> </ul>
<b>Mechanical Specifications</b>	<ul style="list-style-type: none"> <li>■ Dimensions: conforming to ESM™ specification (PCB: 149mm x 71mm), Type II-N</li> <li>■ Weight: 85g (w/o heat sink)</li> </ul>
<b>Environmental Specifications</b>	<ul style="list-style-type: none"> <li>■ Temperature range (operation): <ul style="list-style-type: none"> <li>□ -40..+85°C</li> <li>□ Airspeed: min. 2 m/s</li> </ul> </li> <li>■ Temperature range (storage): -40..+85°C</li> <li>■ Relative humidity (operation): max. 95% non-condensing</li> <li>■ Relative humidity (storage): max. 95% non-condensing</li> <li>■ Altitude: -300m to + 3,000m</li> <li>■ Shock: 15g/11ms</li> <li>■ Bump: 10g/16ms</li> <li>■ Vibration (sinusoidal): 2g/10..150Hz</li> <li>■ Conformal coating on request</li> </ul>
<b>Safety</b>	<ul style="list-style-type: none"> <li>■ PCB manufactured with a flammability rating of 94V-0 by UL recognized manufacturers</li> </ul>
<b>EMC</b>	<ul style="list-style-type: none"> <li>■ Tested according to EN 55022 (radio disturbance), IEC1000-4-2 (ESD) and IEC1000-4-4 (burst)</li> </ul>
<b>BIOS</b>	<ul style="list-style-type: none"> <li>■ MENMON™</li> </ul>
<b>Software Support</b>	<ul style="list-style-type: none"> <li>■ VxWorks®</li> <li>■ Linux (ELinOS)</li> <li>■ QNX®</li> <li>■ PikeOS (partitionable RTOS) certified platform</li> <li>■ MSCAN/Layer2 support: MEN Driver Interface System (MDIS™ for all supported operating systems)</li> <li>■ <a href="#">For more information on supported operating system versions and drivers see Downloads.</a></li> </ul>

## FPGA

This product offers the possibility to add customized I/O functionality in FPGA.

<b>Flexible Configuration</b>	<ul style="list-style-type: none"> <li>■ Customized I/O functions can be added to the FPGA.</li> <li>■ It depends on the board type, pin counts and number of logic elements which IP cores make sense and/or can be implemented. Please contact MEN for information on feasibility.</li> <li>■ <a href="#">You can find more information on our web page "User I/O in FPGA"</a></li> </ul>
<b>FPGA Capabilities</b>	<ul style="list-style-type: none"> <li>■ FPGA Altera® Cyclone® II EP2C20 <ul style="list-style-type: none"> <li>□ 18,752 logic elements</li> <li>□ 239,616 total RAM bits</li> </ul> </li> <li>■ Connection <ul style="list-style-type: none"> <li>□ Available pin count: 77 pins</li> <li>□ Functions available via I/O connector J2</li> </ul> </li> <li>■ MEN offers a starter kit for a computer-on-module of the same product family (version with front I/O). The kit includes a suitable carrier board with different I/O connectors for FPGA signals. An FPGA development package for this hardware kit is also available for download.</li> </ul>

## Configuration & Options

### Standard Configurations

Article No.	CPU Type	FPGA	System RAM	NAND Flash	Boot Flash	Additional SDRAM	SRAM	Misc.
15EM01-00	MPC5200, 384MHz	12,000 LE	128 MB	128 MB	2 MB	16 MB	2 MB	Front I/O
15EM01N00	MPC5200B, 384MHz	18,752 LE	256 MB	1 GB	2 MB	16 MB	2 MB	Front I/O
15EM01A00	MPC5200B, 384MHz	18,752 LE	256 MB	128 MB	2 MB	16 MB	2 MB	Rear I/O
15EM01A01	MPC5200B, 384MHz	18,752 LE	256 MB	128 MB	2 MB	16 MB	2 MB	Rear I/O, 5V only

### Options

<b>CPU</b>	<ul style="list-style-type: none"> <li>■ MPC5200B, 384 MHz</li> </ul>
<b>Memory</b>	<ul style="list-style-type: none"> <li>■ System RAM                             <ul style="list-style-type: none"> <li>□ 128 MB or 256 MB</li> </ul> </li> <li>■ NAND Flash                             <ul style="list-style-type: none"> <li>□ 0 MB up to maximum available</li> </ul> </li> <li>■ Boot Flash                             <ul style="list-style-type: none"> <li>□ 2 MB, 4 MB or 8 MB</li> </ul> </li> <li>■ Additional SDRAM                             <ul style="list-style-type: none"> <li>□ 0 MB or 16 MB</li> </ul> </li> <li>■ SRAM                             <ul style="list-style-type: none"> <li>□ 0 MB or 2 MB</li> </ul> </li> <li>■ 128KB non-volatile FRAM instead of SRAM</li> </ul>
<b>I/O</b>	<ul style="list-style-type: none"> <li>■ Two 10/100Base-T Ethernet channels instead of one 10Base-T and one 10/100Base-T                             <ul style="list-style-type: none"> <li>□ Through easy FPGA modification</li> </ul> </li> </ul>
<b>Power Supply</b>	<ul style="list-style-type: none"> <li>■ 5V supply only                             <ul style="list-style-type: none"> <li>□ With onboard +3.3V voltage regulator</li> <li>□ Regulator could be loaded with additional 500mA for plug-on boards</li> </ul> </li> </ul>
<b>Mechanical</b>	<ul style="list-style-type: none"> <li>■ PCI and I/O connectors can also be placed for face-up assembly (ESM™ Type S)</li> </ul>

Please note that some of these options may only be available for large volumes. Please ask our sales staff for more information.

## Ordering Information

<b>Standard EM1A Models</b>	<b>15EM01A00</b>	MPC5200B/384MHz, FPGA 18,752 logic elements, 256MB SDRAM, 128MB NAND Flash, 2MB SRAM, 16MB graphics memory, 2MB boot Flash, -40..+85°C with qualified components
<b>Related Hardware</b>	<b>15EM01N00</b>	MPC5200B/384MHz, FPGA 18,752 logic elements, 256 MB SDRAM, 1 GB NAND Flash, 2 MB SRAM, 16 MB graphics memory, 2 MB boot Flash, front: 2 Fast Ethernet (RJ45), 1 UART (RJ45), 1 USB, -40..+85°C with qualified components (also for ESM™ evaluation kit EK6N)
<b>Software: Linux</b>	<p>This product is designed to work under Linux. See below for potentially available separate software packages from MEN.</p> <p><b>10EM01-90</b> Linux BSP (MEN) for EM1, EM1A, EM1N, EK6, EK6N, F12, F12N and PP1 under ELinOS 5.0 (rpm for direct installation in ELinOS)</p> <p>This product is designed to work under ELinOS Embedded Linux by SYSGO. For more information and product support please contact <a href="http://www.sysgo.com">www.sysgo.com</a>.</p> <p><b>13Z015-06</b> MDIS5™ low-level driver sources (MEN) for 16Z029_CAN (MSCAN/Layer2)</p> <p><b>13Z017-06</b> MDIS5™ low-level driver sources (MEN) for 16Z034_GPIO, 16Z037_GPIO and 16Z127_GPIO</p> <p><b>13Z025-90</b> Linux native driver (MEN) for 16Z025_UART, 16Z057_UART and 16Z125_UART</p> <p><b>13Z077-90</b> Linux native driver (MEN) for 16Z077_ETH and 16Z087_ETH</p>	
<b>Software: VxWorks®</b>	<p>This product is designed to work under VxWorks®. For details regarding supported/unsupported board functions please refer to the corresponding software data sheets.</p> <p><b>10EM01-60</b> VxWorks® BSP (MEN) for EM1, EM1A, EM1N, EK6, EK6N, F12N and F12</p> <p><b>10EM01-61</b> VxWorks® 6.8 BSP for EM1A and EM1N</p> <p><b>13Z015-06</b> MDIS5™ low-level driver sources (MEN) for 16Z029_CAN (MSCAN/Layer2)</p> <p><b>13Z017-06</b> MDIS5™ low-level driver sources (MEN) for 16Z034_GPIO, 16Z037_GPIO and 16Z127_GPIO</p> <p><b>13Z025-60</b> VxWorks® native driver (MEN) for 16Z025_UART, 16Z057_UART and 16Z125_UART</p>	
<b>Software: QNX®</b>	<p>This product is designed to work under QNX®. For details regarding supported/unsupported board functions please refer to the corresponding software data sheets.</p> <p><b>10EM01-40</b> QNX® 6.3 SP3 BSP (MEN) for EM1, EM1A, EM1N, EK6, EK6N, F12 and F12N</p> <p><b>10EM01-41</b> QNX® 6.4.1 BSP (MEN) for EM1, EM1A, EM1N, EK6, EK6N, F12 and F12N</p> <p><b>10EM01-42</b> QNX® 6.5.0 BSP (MEN) for EM1, EM1A, EM1N, EK6, EK6N, F12 and F12N</p> <p><b>13Z015-06</b> MDIS5™ low-level driver sources (MEN) for 16Z029_CAN (MSCAN/Layer2)</p> <p><b>13Z017-06</b> MDIS5™ low-level driver sources (MEN) for 16Z034_GPIO, 16Z037_GPIO and 16Z127_GPIO</p> <p><b>13Z025-40</b> QNX® 6.3 native driver (MEN) for 16Z025_UART and 16Z125_UART</p> <p><b>13Z025-41</b> QNX® 6.4 native driver (MEN) for 16Z025_UART and 16Z125_UART</p> <p><b>13Z025-42</b> QNX® 6.5 native driver (MEN) for 16Z025_UART and 16Z125_UART</p> <p><b>13Z087-40</b> QNX® native driver (MEN) for 16Z087_ETH</p>	

## Ordering Information

### Software: PikeOS

This product is designed to work under PikeOS by SYSGO. PikeOS is a real-time operating system for use in safety and mission-critical systems which can be certified according to DO-178B DAL-B and EN 50128 SIL 4. For more information and product support please contact [www.sysgo.com](http://www.sysgo.com).

### Software: Firmware/BIOS

MENMON™ is MEN's firmware/BIOS for PowerPC® platforms.

**14EM01-00** MENMON™ (Firmware) for EM1, EM1A, EM1N, F12 and F12N (object code)

For operating systems not mentioned here [contact MEN sales](#).

### Documentation

Compare Chart ESM™ Embedded System Modules » [Download](#)

**20EM00-00** ESM™ Specification

**20EM01NER** EM1N/EM1A Errata

**20EM01N00** EM1N/EM1A User Manual

**21MENM-00** MENMON™ User Manual

**21Z025-90** 16Z025\_UART and 16Z125\_UART under Linux User Manual

**22Z025-ER** 16Z025\_UART Errata

## Contact Information

### Germany

MEN Mikro Elektronik GmbH  
Neuwieder Straße 3-7  
90411 Nuremberg  
Phone +49-911-99 33 5-0  
Fax +49-911-99 33 5-901

info@men.de  
www.men.de

### France

MEN Mikro Elektronik SA  
18, rue René Cassin  
ZA de la Châtelaine  
74240 Gaillard  
Phone +33 (0) 450-955-312  
Fax +33 (0) 450-955-211

info@men-france.fr  
www.men-france.fr

### USA

MEN Micro Inc.  
860 Penllyn Blue Bell Pike  
Blue Bell, PA 19422  
Phone (215) 542-9575  
Fax (215) 542-9577

sales@menmicro.com  
www.menmicro.com

*The date of issue stated in this data sheet refers to the Technical Data only. Changes in ordering information given herein do not affect the date of issue. All brand or product names are trademarks or registered trademarks of their respective holders.*

*MEN is not responsible for the results of any actions taken on the basis of information in the publication, nor for any error in or omission from the publication.*

*MEN expressly disclaims all and any liability and responsibility to any person, whether a reader of the publication or not, in respect of anything, and of the consequences of anything, done or omitted to be done by any such person in reliance, whether wholly or partially, on the whole or any part of the contents of the publication.*

*The correct function of MEN products in mission-critical and life-critical applications is limited to the environmental specification given for each product in the technical user manual. The correct function of MEN products under extended environmental conditions is limited to the individual requirement specification and subsequent validation documents for each product for the applicable use case and has to be agreed upon in writing by MEN and the customer. Should the customer purchase or use MEN products for any unintended or unauthorized application, the customer shall indemnify and hold MEN and its officers, employees, subsidiaries, affiliates, and distributors harmless against all claims, costs, damages, and expenses, and reasonable attorney fees arising out of, directly or indirectly, any claim or personal injury or death associated with such unintended or unauthorized use, even if such claim alleges that MEN was negligent regarding the design or manufacture of the part.*

*In no case is MEN liable for the correct function of the technical installation where MEN products are a part of.*

Copyright © 2014 MEN Mikro Elektronik GmbH. All rights reserved.