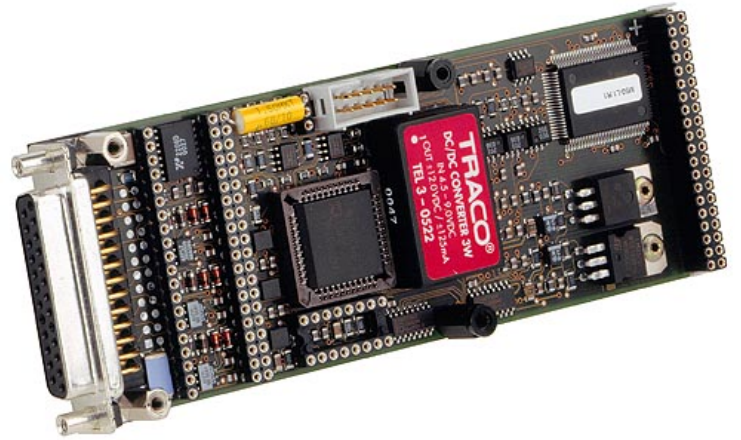


M50 – Synchro/Resolver Converter

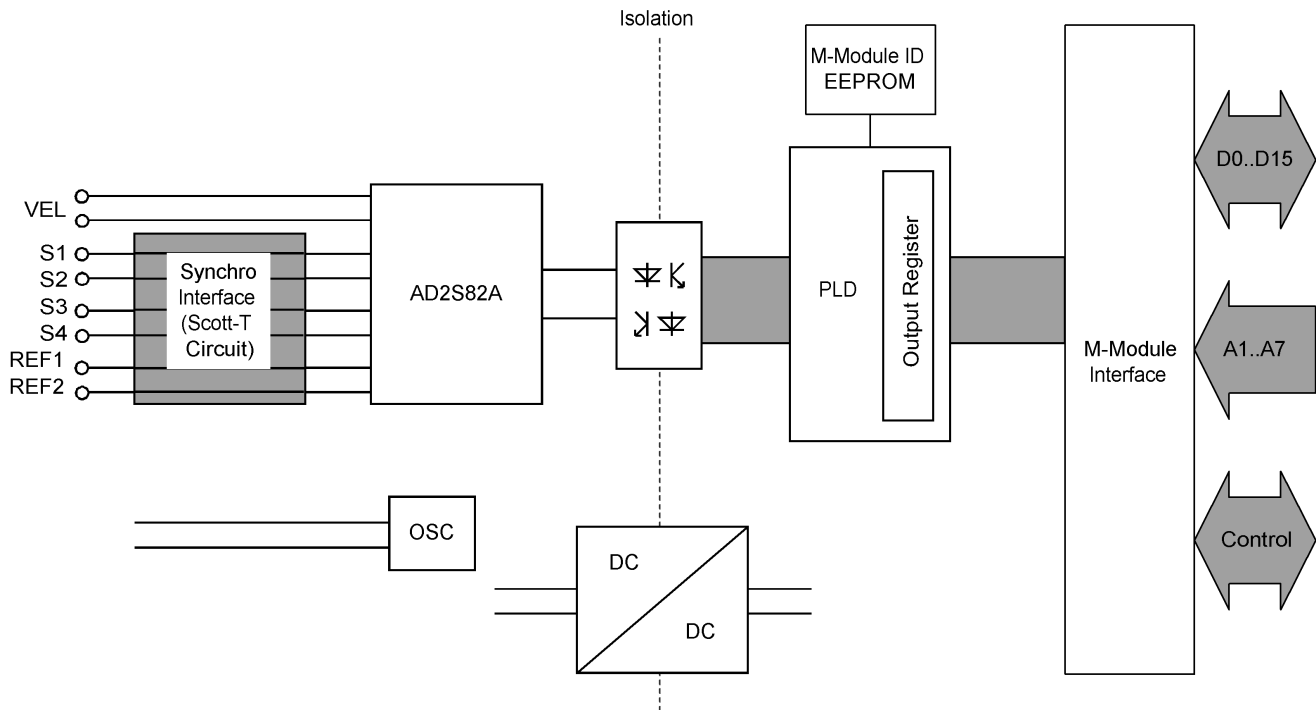
- **Resolver/synchro-to-digital converter**
- **Up to 16 bits resolution**
- **On-board reference frequency generation**
- **On-board signal conditioning**
- **2 arc minutes accuracy**
- **Analog velocity output**
- **Optical isolation**
- **-40 to +85°C screened versions**
- **Not conforming to RoHS**



The mezzanine card M50 is a 1-channel, continuous-tracking synchro- or resolver-to-digital converter with a configurable 10 to 16-bit resolution and a tracking rate of up to 1040 rps. The M-Module has a reference signal generator with a frequency range of 50 Hz to 20 kHz. Reference output voltages can be in a range of 2 Vrms to 21 Vrms. An analog velocity output can be used to monitor the rotational speed.

The M-Module is suited for nearly all synchro/resolver sensors: the user can easily adapt the M50 by plugging passive components. The M50 is optically isolated and supplied by an on-board DC/DC converter. Optical isolation of the digitized values significantly improves accuracy compared to common transformers. The M50 is based on the M-Module ANSI mezzanine standard. It can be used as an I/O extension in any type of bus system, i.e. CPCI, VME or on any type of stand-alone SBC. Appropriate M-Module carrier cards in 3U, 6U and other formats are available from MEN or other manufacturers.

Diagram



Technical Data

AD2S82A Resolver-to-Digital Converter	<ul style="list-style-type: none"> ■ Resolution: 10/12/14/16 bits ■ Reference input voltage: variable, 2V RMS..90V RMS/115V RMS ■ Reference output voltage: max. 26V RMS, 1.5W ■ Reference frequency range: 50..20,000Hz ■ Accuracy: <ul style="list-style-type: none"> □ $\pm 2/\pm 4/\pm 8/\pm 22$ arc min, ± 1LSB (resolver input) □ Accuracy: $\pm 9/\pm 13/\pm 15/\pm 29$ arc min, ± 1LSB (synchro input) ■ Tracking rate: depends on frequency and resolution (max. 1040 rps) ■ Small/large step settling time: depends on frequency and resolution
Miscellaneous	<ul style="list-style-type: none"> ■ Input signals: 10% max. harmonic distortion ■ Velocity output: ± 8V
Peripheral Connections	<ul style="list-style-type: none"> ■ Via front panel on a shielded 25-pin D-Sub receptacle connector ■ Via carrier board (rear I/O)
M-Module Characteristics	<ul style="list-style-type: none"> ■ A08, D16, INTA, IDENT
Electrical Specifications	<ul style="list-style-type: none"> ■ Isolation voltage: 500V DC ■ Supply voltage/power consumption: +5V (4.85V..5.25V), 550mA typ. ■ MTBF: 34,000h @ 50°C (derived from MIL-HDBK-217F)
Mechanical Specifications	<ul style="list-style-type: none"> ■ Dimensions: conforming to M-Module Standard ■ Weight: 102g
Environmental Specifications	<ul style="list-style-type: none"> ■ Temperature range (operation): <ul style="list-style-type: none"> □ 0..+60°C □ Industrial temperature range on request □ Airflow: min. 10m³/h ■ Temperature range (storage): -40..+85°C ■ Relative humidity range (operation): max. 95% non-condensing ■ Relative humidity range (storage): max. 95% non-condensing ■ Altitude: -300m to + 3,000m ■ Shock: 15g/11ms ■ Bump: 10g/16ms ■ Vibration (sinusoidal): 2g/10..150Hz ■ Conformal coating on request
Safety	<ul style="list-style-type: none"> ■ PCB manufactured with a flammability rating of 94V-0 by UL recognized manufacturers
EMC	<ul style="list-style-type: none"> ■ Tested according to EN 55022 (radio disturbance), IEC1000-4-2 (ESD) and IEC1000-4-4 (burst)
Software Support	<ul style="list-style-type: none"> ■ MEN Driver Interface System (MDIS for Windows®, Linux, VxWorks®, QNX®, OS-9®) ■ For more information on supported operating system versions and drivers see Downloads.

Ordering Information

Standard M50 Models	04M050-00	1-channel synchro/resolver converter, 0..+60°C, no RoHS
Miscellaneous Accessories	05M000-00	M-Module cable, 2m, with 25-pin D-Sub plug/housing to pig tail
	05M000-17	25 mounting screw sets to fix M-Modules on carrier boards
Software: Linux	This product is designed to work under Linux. See below for potentially available separate software packages from MEN.	
	13M050-06	MDIS4/2004 low-level driver sources (MEN) for M50
Software: Windows®	This product is designed to work under Windows®. See below for potentially available separate software packages from MEN.	
	13M050-70	MDIS4/2004 Windows® driver (MEN) for M50
Software: VxWorks®	This product is designed to work under VxWorks®. For details regarding supported/unsupported board functions please refer to the corresponding software data sheets.	
	13M050-06	MDIS4/2004 low-level driver sources (MEN) for M50
Software: QNX®	This product is designed to work under QNX®. For details regarding supported/unsupported board functions please refer to the corresponding software data sheets.	
	13M050-06	MDIS4/2004 low-level driver sources (MEN) for M50
Software: OS-9®	This product is designed to work under OS-9®. For details regarding supported/unsupported board functions please refer to the corresponding software data sheets.	
	13M050-06	MDIS4/2004 low-level driver sources (MEN) for M50
Software: Miscellaneous	13M050-01	2S80-series calculation software (Analog Devices) for M50
For operating systems not mentioned here contact MEN sales.		
Documentation	Compare Chart robotics and motion M-Modules » Download	
	20M000-00	M-Module Draft Specification, Rev. 3.0
	20M050-00	M50 User Manual

Contact Information

Germany

MEN Mikro Elektronik GmbH
Neuwieder Straße 3-7
90411 Nuremberg
Phone +49-911-99 33 5-0
Fax +49-911-99 33 5-901

info@men.de
www.men.de

France

MEN Mikro Elektronik SAS
18, rue René Cassin
ZA de la Châtelaine
74240 Gaillard
Phone +33 (0) 450-955-312
Fax +33 (0) 450-955-211

info@men-france.fr
www.men-france.fr

USA

MEN Micro Inc.
860 Penllyn Blue Bell Pike
Blue Bell, PA 19422
Phone (215) 542-9575
Fax (215) 542-9577

sales@menmicro.com
www.menmicro.com

The date of issue stated in this data sheet refers to the Technical Data only. Changes in ordering information given herein do not affect the date of issue. All brand or product names are trademarks or registered trademarks of their respective holders.

MEN is not responsible for the results of any actions taken on the basis of information in the publication, nor for any error in or omission from the publication.

MEN expressly disclaims all and any liability and responsibility to any person, whether a reader of the publication or not, in respect of anything, and of the consequences of anything, done or omitted to be done by any such person in reliance, whether wholly or partially, on the whole or any part of the contents of the publication.

The correct function of MEN products in mission-critical and life-critical applications is limited to the environmental specification given for each product in the technical user manual. The correct function of MEN products under extended environmental conditions is limited to the individual requirement specification and subsequent validation documents for each product for the applicable use case and has to be agreed upon in writing by MEN and the customer. Should the customer purchase or use MEN products for any unintended or unauthorized application, the customer shall indemnify and hold MEN and its officers, employees, subsidiaries, affiliates, and distributors harmless against all claims, costs, damages, and expenses, and reasonable attorney fees arising out of, directly or indirectly, any claim or personal injury or death associated with such unintended or unauthorized use, even if such claim alleges that MEN was negligent regarding the design or manufacture of the part.

In no case is MEN liable for the correct function of the technical installation where MEN products are a part of.

Copyright © 2014 MEN Mikro Elektronik GmbH. All rights reserved.