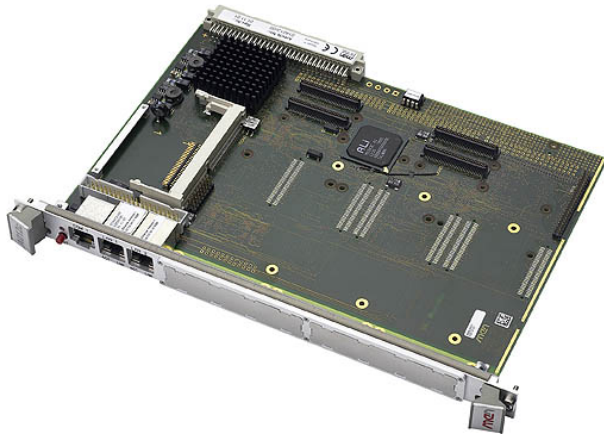


A12C - 6U VMEbus MPC8245 SBC / PMC



- PowerPC® MPC8245 / 300 MHz
- 1-slot VMEbus master and slave
- 512 MB DRAM, CompactFlash®
- Graphics via PMC
- Dual 10/100-Mbit Fast Ethernet
- 4 COMs, USB, IDE, keyboard/mouse
- 2 PMC slots
- MENMON™ BIOS for PowerPC® cards

The A12C is a single-board computer for embedded applications based on the PowerPC® MPC 8245. It can be used as a master or slave in a VMEbus environment or as a stand-alone card. The A12 provides up to 1MB local dual-ported SRAM for slave access and communication between the local CPU and another VMEbus master.

The A12C comes with the MPC8245 PowerPC® with 300MHz clock frequency and a local 32-bit/33-MHz PCI data bus. It is a complete state-of-the-art SBC offering DRAM, Flash and CompactFlash® memory, dual Fast Ethernet, 4 COMs, USB, IDE and keyboard/mouse interfaces as well as an optional onboard hard disk. A software-loadable FPGA is optionally available for individual user-defined functions such as additional UARTs, a CAN bus interface, DSP functions etc.

In addition, the A12C CPU board can be equipped with PMC mezzanine cards. PMCs may particularly be used for intelligent telecom I/O. The modular combination of I/O functionality on a single-board computer allows to build up tailored control systems which appear as customized solutions based on standard components.

Depending on the kind of I/O requirements, further standard versions of A12 are available for other mezzanine standards.

The A12 comes with MENMON™ support. This firmware/BIOS can be used for bootstrapping operating systems (from disk, flash or network), for hardware testing, or for debugging applications without running any operating system. The A12 single-board computer is partly compatible with the MVME2100 board by Motorola.

Technical Data

CPU

- PowerPC®
 - MPC8245
 - 300MHz
 - Double precision FPU

Memory

- L1 Cache integrated in MPC8245
- Up to 512MB SDRAM system memory
 - One 144-pin SO-DIMM slot for SDRAM modules
 - 100MHz memory bus frequency
- 2MB Flash
- Serial EEPROM 2KB for factory settings
- CompactFlash® card interface
 - Via onboard IDE
 - Type I
 - True IDE

Mass Storage

- Parallel IDE (PATA)
 - One port for local CompactFlash®
 - One port for local hard-disk drive
 - Drive can be connected via ribbon cable or mounted directly on the CPU board using MEN adapter kit
 - Only one VMEbus slot needed even with hard disk

I/O

- USB
 - One USB 1.1 port
 - Available via I/O connector
 - External PHY
 - Data rates up to 12Mbps/s
- Ethernet
 - Two 10/100Base-T Ethernet channels
 - RJ45 connector at front panel with two LEDs
- One RS232 UART (COM1)
 - RJ45 connector at front panel
 - 16-byte transmit/receive buffer
 - Handshake lines: CTS, RTS; DCD, DSR, DTR
- One UART (COM2)
 - Accessible via I/O connector
 - Physical interface using SA-Adapter™ via 10-pin ribbon cable on I/O connector
 - RS232..RS485, isolated or not: for free use in system (e. g. cable to front)
 - 16-byte transmit/receive buffer
 - Handshake lines: CTS, RTS; DCD, DSR, DTR; RI
- Two UARTs (COM3/COM4)
 - Accessible via I/O connector
 - Physical interface using SA-Adapter™ via 10-pin ribbon cable on I/O connector
 - RS232..RS485, isolated or not: for free use in system (e. g. cable to front)
 - Handshake lines: none
- PS/2 keyboard/mouse
 - Accessible via I/O connector
 - Requires external PHY

Mezzanine Slots

- Two PMC slots
 - Compliant with PMC standard IEEE 1386.1

Miscellaneous

- Serial real-time clock with integrated 56-byte NVRAM
- Serial hardware watchdog in supervisory circuit
- Temperature sensor
- User LEDs (external)
- Hex switch for user settings

Local PCI Bus

- 32-bit/33-MHz, 3.3V V(I/O)
- Compliant with PCI Specification 2.2

VMEbus

- Slot-1 function with auto-detection
- Master
 - D08(EO):D16:A24:A16
 - Transfer rate max. 7MB/s
- Slave
 - D08(EO):D16:A24:BLT
 - Transfer rate max. 15MB/s
- Up to 1MB dual-ported fast SRAM
- Interrupter D08(O):I(7-1):ROAK
- Interrupt handler D08(O):IH(7-1)
- Single level 3 fair requester
- Single level 3 arbiter
- Bus timer

Electrical Specifications

- Supply voltage/power consumption:
 - +5V (-3%/+5%), 1.65 A typ.
 - ±12V (-5%/+5%), only used for mezzanines, tbd.
- MTBF: 63,000h @ 50°C (derived from MIL-HDBK-217F)

Mechanical Specifications

- Dimensions: standard double Eurocard, 233.3mm x 160mm
- Weight (without mezzanines and accessories): 270g

Environmental Specifications

- Temperature range (operation):
 - 0..+60°C or -40..+85°C
 - Airflow: min. 10m³/h
- Temperature range (storage): -40..+85°C
- Relative humidity (operation): max. 95% non-condensing
- Relative humidity (storage): max. 95% non-condensing
- Altitude: -300m to + 3,000m
- Shock: 15g/11ms
- Bump: 10g/16ms
- Vibration (sinusoidal): 2g/10..150Hz
- Conformal coating on request

Technical Data

Safety

- PCB manufactured with a flammability rating of 94V-0 by UL recognized manufacturers

EMC

- Tested according to EN 55022 (radio disturbance), IEC1000-4-2 (ESD) and IEC1000-4-4 (burst)

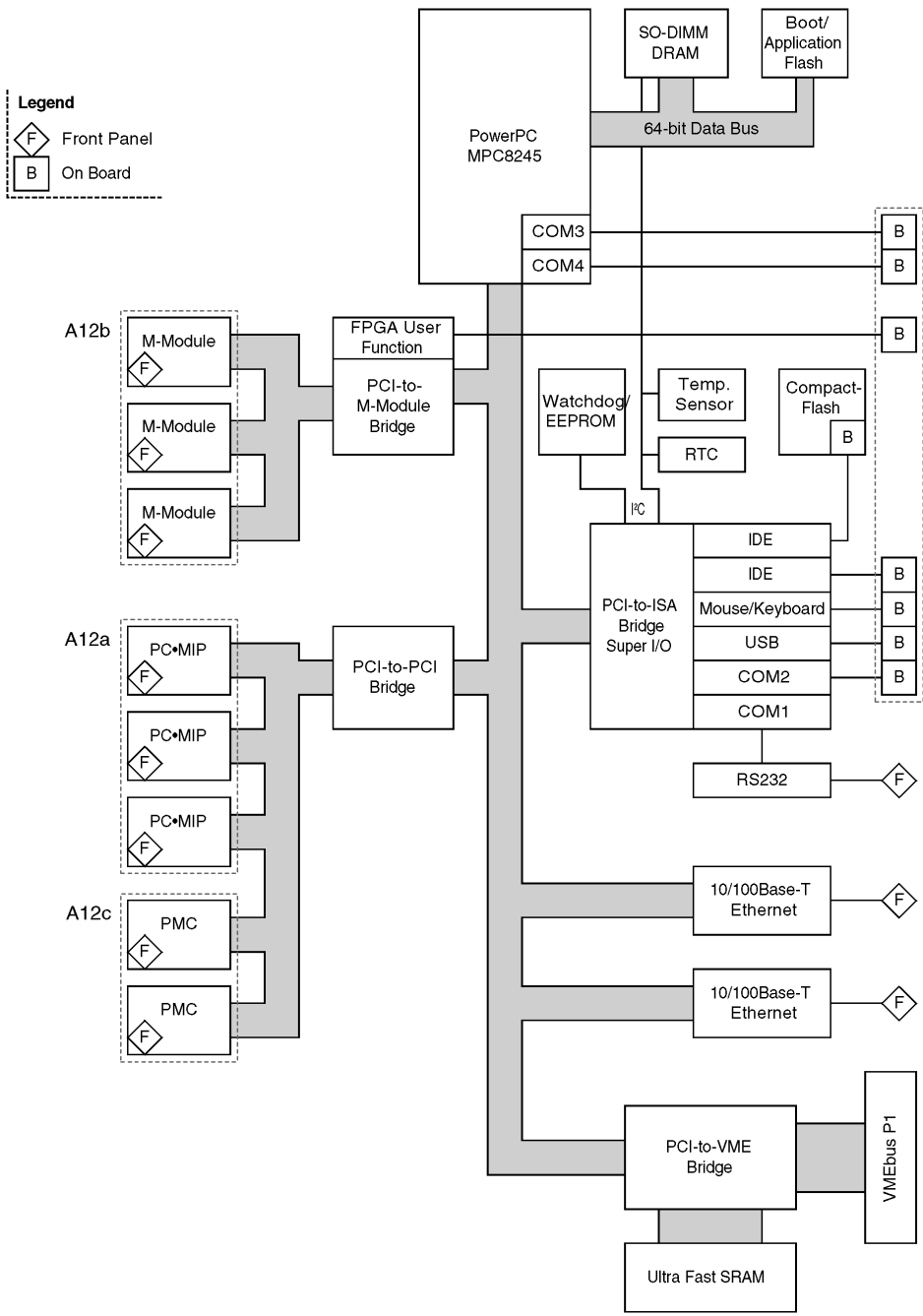
BIOS

- MENMON™

Software Support

- Linux
- VxWorks®
- QNX®
- OS-9®
- For more information on supported operating system versions and drivers see Software.

Diagram



Configuration & Options

Standard Configurations

| Article No. | CPU Type | Clock | System RAM | CFlash | Boot Flash | Mezzanine Slots | Operation Temperature |
|-------------|----------|---------|------------|--------|------------|-----------------|-----------------------|
| 01A012A00 | MPC8245 | 300 MHz | 0 MB | 0 MB | 2 MB | 3 PC-MIP® | 0..+60°C |
| 01A012B00 | MPC8245 | 300 MHz | 0 MB | 0 MB | 2 MB | 3 M-Modules™ | 0..+60°C |
| 01A012B01 | MPC8245 | 300 MHz | 0 MB | 0 MB | 2 MB | 3 M-Modules™ | -40..+85°C |
| 01A012C00 | MPC8245 | 300 MHz | 0 MB | 0 MB | 2 MB | 2 PMC | 0..+60°C |

Options

CPU

- MPC8245, 300 MHz

Memory

- System RAM
 - 64 MB, 128 MB, 256 MB or 512 MB
- CompactFlash®
 - 0 MB up to maximum available
- Boot Flash
 - 2 MB

SA-Adapters™

- Up to three SA-Adapters™ for UART functions (COM2..COM4)
- RS232, RS422, RS485

Mezzanine Slots

- 2 PMC
- 3 PC-MIP®
- 3 M-Modules™

Operation Temperature

- 0..+60°C
- -40..+85°C

Please note that some of these options may only be available for large volumes. Please ask our sales staff for more information.

Ordering Information

Standard Hardware

01A012C00 MPC8245/300MHz, 2MB Flash, 2 PMC slots, 0..+60°C

Related Hardware

01A012A00 MPC8245/300MHz, 2MB Flash, 3 PC-MIP slots, 0..+60°C

01A012B00 MPC8245/300MHz, 2MB Flash, 3 M-Module slots, 0..+60°C

01A012B01 MPC8245/300MHz, 2MB Flash, 3 M-Module slots, -40..+85°C screened

Memory

0751-0023 CompactFlash card, 2 GB, Type I, -40..+85°C, fixed bit set

0751-0025 CompactFlash card, 512 MB, Type I, -40..+85°C, removable

0751-0026 CompactFlash card, 256 MB, Type I, -40..+85°C, removable

0751-0027 CompactFlash card, 1 GB, Type I, -40..+85°C, fixed bit set

0751-0031 CompactFlash card, 4 GB, Type I, -40..+85°C, fixed bit set

0751-0032 CompactFlash card, 8 GB, Type I, -40..+85°C, fixed bit set

0752-0027 256MB DRAM 0..+60°C for 01A012x00

0752-0028 512MB DRAM 0..+60°C for 01A012x00

0752-0046 64MB DRAM 0..+60°C for 01A012x00

0752-0047 128MB DRAM 0..+60°C for 01A012x00

0752-0126 64MB DRAM -40..+85°C for 01A012x01

0752-0127 128MB DRAM -40..+85°C for 01A012x01

0752-0128 256MB DRAM -40..+85°C for 01A012x01

0752-0129 512MB DRAM -40..+85°C for 01A012x01

SA-Adapters

08SA01-00 RS232, not optically isolated, 0..+60°C

08SA02-00 RS422/485, half duplex, optically isolated, 0..+60°C

08SA02-01 RS422/485, full duplex, optically isolated, 0..+60°C

08SA02-07 RS422/485, full duplex, optically isolated, -40..+85°C screened

08SA03-00 RS232, optically isolated, 0..+60°C

08SA03-01 RS232, optically isolated, -40..+85°C screened

Systems & Card Cages

0700-0012 VME 19" 4U/84HP rack-mount enclosure for 6U cards (horizontal), 8-slot backplane, 350W open frame wide-range PSU, 2 fans, prepared for rear I/O

Miscellaneous

05A012-00 Mounting kit for 2.5" hard disk (9.5mm adapter) for A12, D3, SC13

05A012-01 Mounting kit for 2 SA adapters for A12/A15/D3, incl. 6U 1-slot VME or CompactPCI front panel incl. ribbon cable, without SA adapters

05AD67-00 IDE mounting kit 44-pin to 44-pin; 50.8 mm; installation kit for Kahlua Box or A12, A15, D3 with AD67, temperature range: -40..+85°C

05F006-00 RS232 interface cable RJ45 to 9-pin D-Sub (1 COM to 1 COM), 2m

05M000-17 25 mounting screw sets to fix M-Modules on carrier boards

0710-0028 Industrial PATA hard disk, 2.5", 80GB, 24hours/7days, for on-board mounting (hard disk mounting kit may be required additionally), -30..+85°C qualified

08AD67-01 I/O extension 19" 6U 4HP incl. 1 USB connector, 1 keyboard connector, 1 mouse connector; prepared for 3 SA adapters, prepared for HDD 2.5", reset, abort, 0..+60°C

Software: Linux

13Z014-90 Linux device driver (MEN) for PCI-to-VME bridge on A12, A13, A14, A15 and B11

Software: VxWorks

10F001N60 VxWorks BSP (MEN) for A15, F1N, B11, A12, D3, SC13 and Kahlua Box

Software: QNX

10F001N40 QNX BSP (MEN) for F1N, B11, A12, A15, D3, SC13 and Kahlua Box

Ordering Information

Software: OS-9

- 10F001N01** OS-9(000) V.2.2/3.x BSP (object code, MEN) for F1N, B11, A12, D3, SC13 and Kahlua Box
- 10F001N02** OS-9(000) V4.2 BSP (object code, MEN) for F1N, B11, A12, A15, D3, SC13 and Kahlua Box

Software: Firmware/BIOS

- 14A012-00** MENMON (Firmware) for A12, D3 and SC13 (object code)

Documentation

- 20A012-00** A12 User Manual
- 21APPN003** Application Note: Using P1/P501 Graphics on MEN 824x/ALI boards under ELinOS
- 21MENM-00** MENMON 2nd Edition User Manual

For the most up-to-date ordering information and direct links to other data sheets and downloads, see the A12C online data sheet under » www.men.de.

Germany

MEN Mikro Elektronik GmbH
Neuwieder Straße 5-7
90411 Nuremberg
Phone +49-911-99 33 5-0
Fax +49-911-99 33 5-901
E-mail info@men.de
www.men.de

France

MEN Mikro Elektronik SA
18, rue René Cassin
ZA de la Châtelaine
74240 Gaillard
Phone +33 (0) 450-955-312
Fax +33 (0) 450-955-211
E-mail info@men-france.fr
www.men-france.fr

USA

MEN Micro, Inc.
24 North Main Street
Ambler, PA 19002
Phone (215) 542-9575
Fax (215) 542-9577
E-mail sales@menmicro.com
www.menmicro.com

The date of issue stated in this data sheet refers to the Technical Data only. Changes in ordering information given herein do not affect the date of issue.

All brand or product names are trademarks or registered trademarks of their respective holders.

Information in this document has been carefully checked and is believed to be accurate as of the date of publication; however, no responsibility is assumed for inaccuracies. MEN Mikro Elektronik accepts no liability for consequential or incidental damages arising from the use of its products and reserves the right to make changes on the products herein without notice to improve reliability, function or design. MEN Mikro Elektronik does not assume any liability arising out of the application or use of the products described in this document.

The products of MEN Mikro Elektronik are not suited for use in nuclear reactors or for application in medical appliances used for therapeutical purposes.

Application of MEN's products in such plants is only possible after the user has precisely specified the operation environment and after MEN Mikro Elektronik has consequently adapted and released the product.

Copyright © 2009 MEN Mikro Elektronik GmbH. All rights reserved.